

Section I – Installation Preparation

Part Number: PT278-34071 Short Bed
PT278-34072 Standard Bed
PT278-34073 Long Bed

NOTE: Part number of this accessory may not be the same as the part number shown.

Kit Contents

| Item # | Quantity Req'd. | Description |
|--------|-----------------|---|
| 1 | 1 | Header rail with end caps & steel temp-set |
| 2 | 2 | Side rails with end caps & plastic temp-set locator clips |
| 3 | 1 | 4 pack of cleat assemblies |
| 4 | 1 | Installation instruction sheets |
| 5 | 1 | Hardware bag |

General Applicability

All models without factory installed rails

Recommended Sequence of Application

| Item # | Accessory |
|--------|---------------|
| 1 | Bedliner |
| 2 | Bed Rails |
| 3 | Tonneau Cover |

*Mandatory

Hardware Bag Contents

| Item # | Quantity Req'd. | Description |
|--------|------------------------------|-------------|
| 1 | 14 (Short bed – PT278-34071) | T-30 Screws |
| 1 | 16 (Std. Bed – PT278-34072) | T-30 Screws |
| 1 | 20 (Long bed – PT278-34073) | T-30 Screws |

Vehicle Service Parts (may be required for reassembly)

| Item # | Quantity Req'd. | Description |
|--------|-----------------|-------------|
| 1 | | |
| 2 | | |
| 3 | | |
| 4 | | |
| 5 | | |
| 6 | | |

Additional Items Required For Installation

| Item # | Quantity Req'd. | Description |
|--------|-----------------|-------------|
| 1 | | |
| 2 | | |
| 3 | | |


Conflicts


Vehicles equipped with factory rails


Recommended Tools


| Personal & Vehicle Protection | Notes |
|--------------------------------|----------------------------|
| Safety Goggles | |
| Vehicle Protection | |
| Wrist & Belt Buckle Protectors | |
| Special Tools | Notes |
| | |
| Installation Tools | Notes |
| Torx Driver | T-30 (Hardened) |
| Torque Wrench | 0-150 lbf-in |
| Sabre Saw | (For DIO w/ Bedliner only) |
| | |
| Special Chemicals | Notes |
| | |
| | |


Legend

 **STOP:** Damage to the vehicle may occur. Do not proceed until process has been complied with.

 **OPERATOR SAFETY:** Use caution to avoid risk of injury.

 **CAUTION:** A process that must be carefully observed in order to reduce the risk of damage to the accessory/vehicle and to ensure a quality installation.

 **TOOLS & EQUIPMENT:** Used in Figures calls out the specific tools and equipment recommended for this process.

 **REVISION MARK:** This mark highlights a change in installation with respect to previous issue.

Section II – Installation Procedure

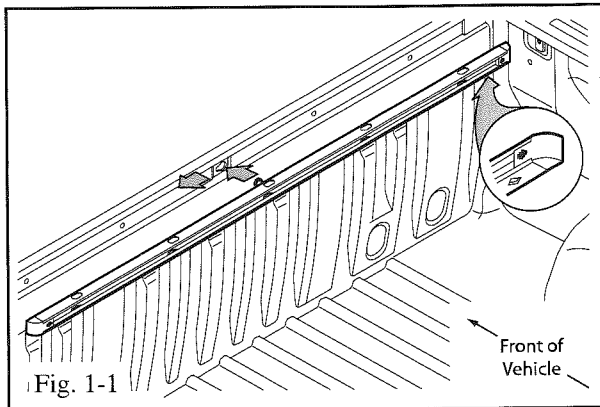
Care must be taken when installing this accessory to ensure damage does not occur to the vehicle. The installation of this accessory should follow approved guidelines to ensure a quality installation.

These guidelines can be found in the "Accessory Installation Practices" document.

This document covers such items as:-

- Vehicle Protection (use of covers and blankets, cleaning chemicals, etc.).
- Safety (eye protection, rechecking torque procedure, etc.).
- Vehicle Disassembly/Reassembly (panel removal, part storage, etc.).
- Electrical Component Disassembly/Reassembly (battery disconnection, connector removal, etc.).

Please see your Toyota dealer for a copy of this document.

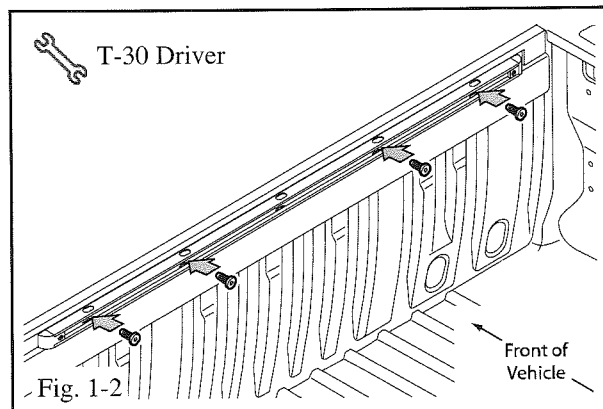


1. Install Header Rail.

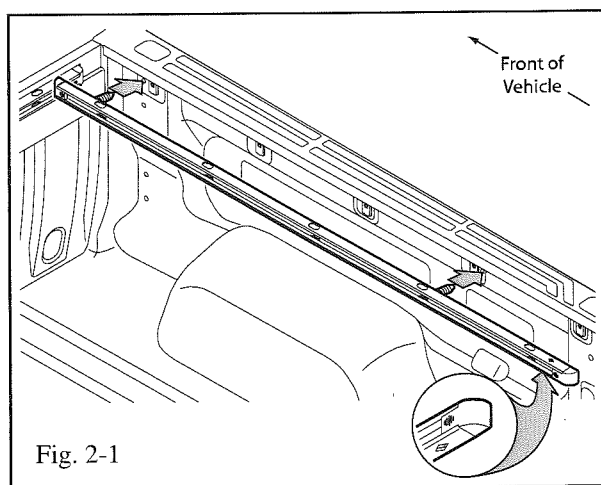
- ⚠ (a) Align steel temp-set peg with keyhole on the front of the bed. (Fig. 1-1)

Note: Bottom of header rail has a diamond shaped hole near the ends. (Fig. 1-1)

- ⚠ (b) Install peg into keyhole and slide left to lock into position. (Fig. 1-1)



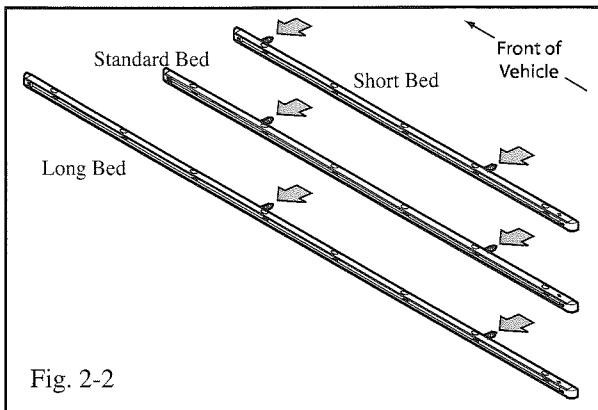
- ⚠ (c) Using a T-30 torx driver, install header screws (4 places). Do not Torque. (Fig. 1-2)



2. Install Side Rails.

- ⚠ (a) Align plastic temp-set locator clips with holes on the side of the bed. (Fig. 2-1)

Note: Rear of vehicle is located by the diamond shaped hole punched through the top and bottom of the rail. (Fig. 2-1)



⚠ (b) Note the locator clips are in same position regardless of bed length. (Fig. 2-2)

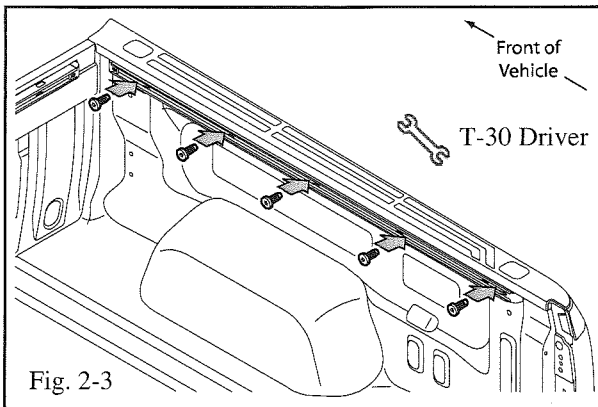
(c) Using a T-30 torx driver, install side rail screws.

(1) 5 Places – Short bed (shown) (Fig. 2-3)

(2) 6 Places – Standard bed (not shown)

(3) 8 Places – Long bed (not shown)

⚠ (d) Repeat step 2 for opposite side.



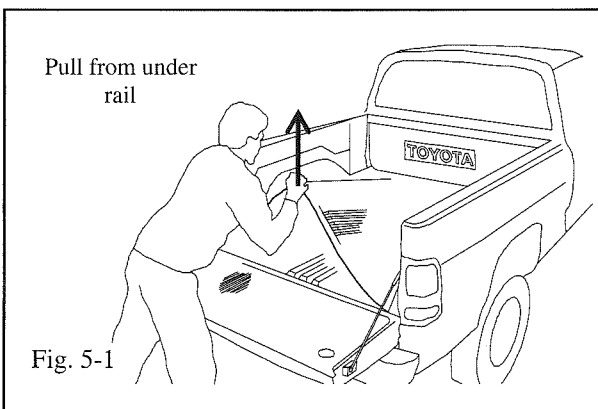
3. Torque All Rail Screws.

⚠ (a) Tighten and torque all (header & side rail) T-30 screws to 7.5 N.m (66.5 Lbf-in).

(1) 14 Places – Short Bed (PT278-34071)

(2) 16 Places – Standard Bed (PT278-34072)

(3) 20 Places – Long Bed (PT278-34073)



4. Install Bed Cleat (as Throw-in)

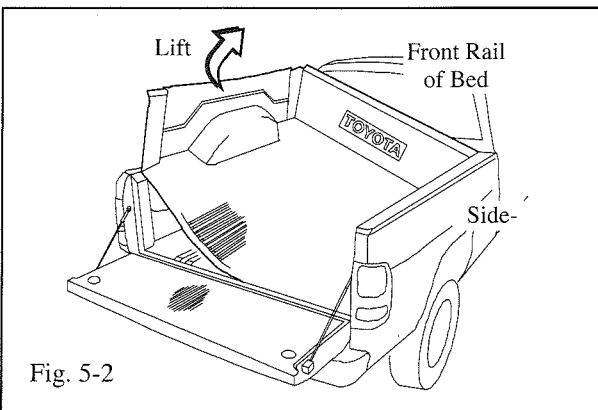
(a) Place the bed cleat 4-Pack on front passenger floor. Do not open packaging.

FOR BED RAIL INSTALLATION WITH PRE-INSTALLED BEDLINER (DIO ONLY):

Note: Additional Hardware Kit P/N **PT271-34070-HW** with "Z" Bracket is required for installation.

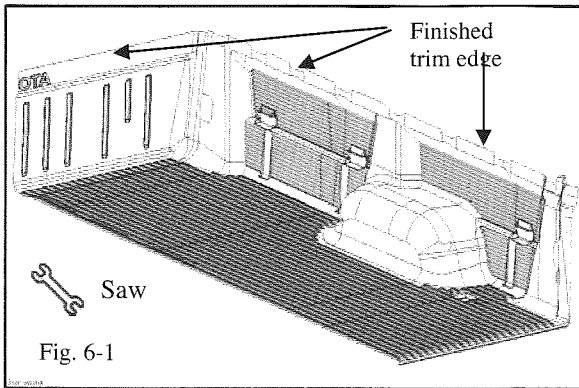
5. Remove Bedliner from Truck Box

Note: It is recommended that the bedliner be removed by two persons.



(a) Standing at rear of truck bed, lift up at the center of the rear edge of bedliner. Have a second person remove the top edge of the bedliner sidewall from under the side rail of the truck bed. (Fig. 5-1)

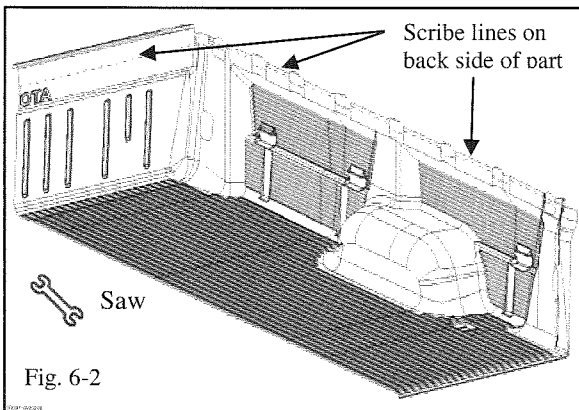
- (b) With a person on each side of the bedliner, lift the bedliner from the truck box and set the part on the ground. (Fig. 5-2)



6. Modify Bedliner for Rail System

- (a) Locate the scribe lines along the back side of the bed liner.
- (b) With a sabre saw, sawzall, or keyhole saw, cut along the scribe lines on the back side of the bed liner sidewalls and headwall. (Fig. 6-1)

Note: Half of bed shown, repeat on other side.



- (c) Note the trimmed notches in sidewall of bed liner. The number of notches along sidewall will vary with truck bed length. (Fig. 6-2)

7. Re-Install Bedliner

- (a) Install bedliner and header rail according to the 2007 Tundra Bedliner w/ Rail System installation instructions, which is posted on the Toyota Technical Information System (TIS) website.

Note: The bedliner is to be installed in the vehicle prior to installation of the bed rails.

8. Install Bed Rails (per Steps 1-4 above)

Checklist - these points **MUST** be checked to ensure a quality installation.

Check:

Look For:

Accessory Function Checks

- Verify all rails are properly installed and torqued.
- Ensure bed cleats are placed in the vehicle.

- Screws are straight and properly torqued.
- Cleats are placed on front passenger floor.

Vehicle Function Checks

- None Required